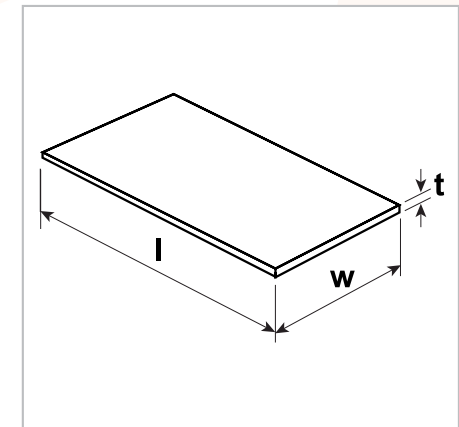


PLATE PRODUCTS REFERENCE GUIDE: MILD STEEL PLATE - 350 GRADE



Designation	Weight	Thickness t	Width w	Length l	Designation	Weight	Thickness t	Width w	Length l
	kg/m ²	mm	mm	mm		kg/m ²	mm	mm	mm
2400x6000	39.25	5	2400	6000	3100x9600	157.00	20	3100	9600
2400x9000	39.25	5	2400	9000	3000x12000	157.00	20	3000	12000
3000x9000	39.25	5	3000	9000	2400x9600	196.25	25	2400	9600
2400x9600	47.10	6	2400	9600	3000x12000	196.25	25	3000	12000
3000x12000	47.10	6	3000	12000	2400x10000	219.80	28	2400	10000
2400x9600	62.80	8	2400	9600	2400x9600	251.20	32	2400	9600
3000x12000	62.80	8	3000	12000	2400x12000	251.20	32	2400	12000
2400x9600	78.50	10	2400	9600	2400x9600	282.60	36	2400	9600
3100x9600	78.50	10	3100	9600	2400x7600	314.00	40	2400	7600
3000x12000	78.50	10	3000	12000	2400x7600	392.50	50	2400	7600
2400x9600	94.20	12	2400	9600	2400x7600	471.00	60	2400	7600
3100x9600	94.20	12	3100	9600	2400x6000	549.50	70	2400	6000
3000x12000	94.20	12	3000	12000	2400x6000	628.00	80	2400	6000
2400x9600	125.60	16	2400	9600	2400x3150	706.50	90	2400	3150
3100x9600	125.60	16	3100	9600	2400x6300	706.50	90	2400	6300
3000x12000	125.60	16	3000	12000	2100x3150	785.00	100	2100	3150
2400x9600	157.00	20	2400	9600	2100x6500	785.00	100	2100	6500



■ Manufactured in accordance with the requirements of Australian Standard AS/NZS 3678 in Grade 250.

