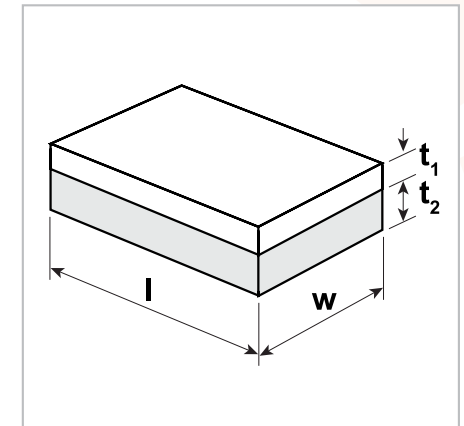
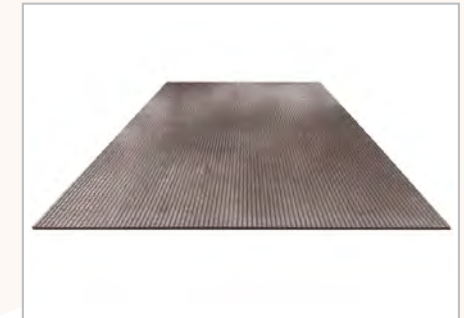


PLATE PRODUCTS REFERENCE GUIDE: CLAD PLATE



| Designation | Clad Thickness t^1 | Base Thickness t^2 | Width w | Length l | Designation | Clad Thickness t^1 | Base Thickness t^2 | Width w | Length l |
|-------------|----------------------|----------------------|-----------|------------|-------------|----------------------|----------------------|-----------|------------|
| | mm | mm | mm | mm | | mm | mm | mm | mm |
| 1400x2900 | 4 | 6 | 1400 | 2900 | 1400x2900 | 9 | 10 | 1400 | 2900 |
| 1400x2900 | 6 | 6 | 1400 | 2900 | 1400x2900 | 12 | 12 | 1400 | 2900 |
| 1400x2900 | 7 | 8 | 1400 | 2900 | 1400x2900 | 17 | 12 | 1400 | 2900 |



- *Manufactured to manufacturers own internal specifications.*

