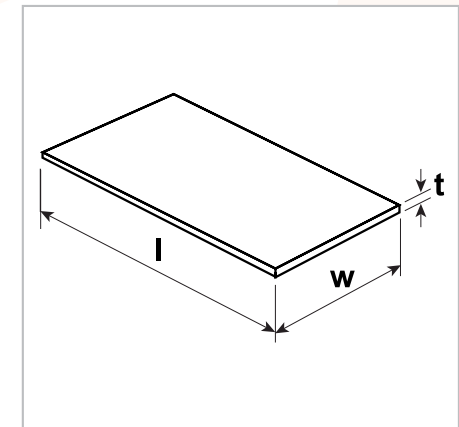


PLATE PRODUCTS REFERENCE GUIDE: BOILER PLATE



Designation	Weight	Thickness t	Width w	Length l	Designation	Weight	Thickness t	Width w	Length l
	kg/m ²	mm	mm	mm		kg/m ²	mm	mm	mm
3100x9600	62.80	8	3100	9600	2400x9600	314.00	40	2400	9600
3100x9600	78.50	10	3100	9600	2400x7600	392.50	50	2400	7600
3100x9600	94.20	12	3100	9600	2400x6000	471.00	60	2400	6000
3100x9600	125.60	16	3100	9600	2400x6000	549.50	70	2400	6000
3100x8600	157.00	20	3100	8600	2400x5200	628.00	80	2400	5200
3100x9600	196.25	25	3100	9600	2400x5200	785.00	100	2400	5200
2400x9600	251.20	32	2400	9600					



- Manufactured in accordance with the requirements of Australian Standard AS/NZS 1548 -PT460NR.

